

# SUPPORTS & BANDS

---



QIP

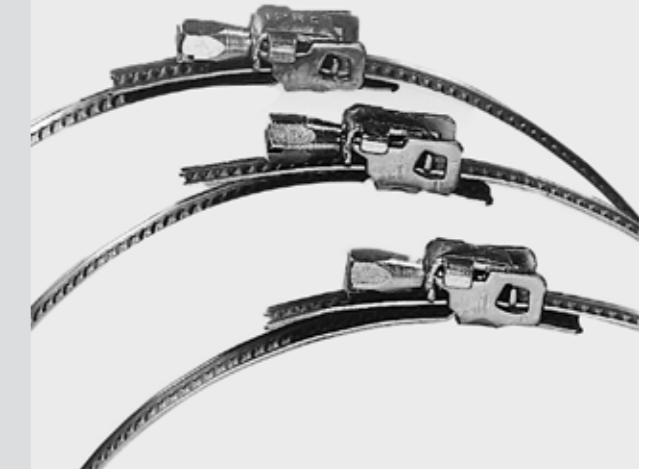
**Construction**

The metal clamp has been constructed according to DIN 3017 standards. The strip has been manufactured out of stainless steel (UNI x 8 Cr 17-DIN 1.4016 (W2) - AISI 430). The metal clamp has been manufactured out of hardened galvanized steel.

The metal clamp is appropriate to mounting all kinds of flexible ducts.

Standard sizes are available.

Duct Diameter	Type
QIP 165	60 to 165 mm
QIP 215	60 to 215 mm
QIP 270	60 to 270 mm



**MULTIBAND & MULTICLAMPS**

**Construction**

The multiband has been constructed according to DIN 3017 standards. The strip has been manufactured out of stainless steel (UNI x 8 Cr 17-DIN 1.4016 (W2) - AISI 430) and the thickness is 0.6mm. Multiclamps has been manufactured out of hardened galvanized steel.

Multibands and multiclamps are suitable for mounting all types of flexible connections. The combination of multiband and multiclamp enables you to make clamp to suit any diameters required at the work station.

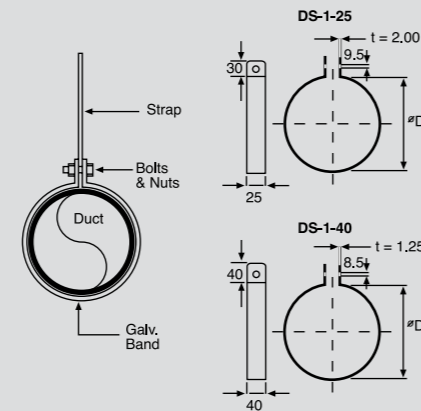
Duct Diameter	Type
QIPBAND	30 M per roll (1 box - 10 rolls)
QIPCLAMP	50 pcs/box (1 carton - 10 boxes)



**TYPE DS - 1**



**Dimensions**



**Description**

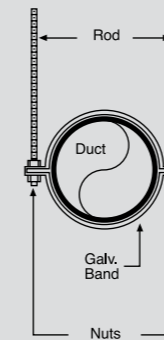
Round duct support type DS - 1, made of galvanised steel sheets with two different widths of 25mm x 2mm thk. or 40mm X 1.2mm thk.

**Ordering**

Product Code: DS-1-25 - aaa

Type \_\_\_\_\_  
d<sub>1</sub> \_\_\_\_\_

**Dimensions**



**Description**

Round duct support type DS - 2, made of steel plate supplied in 2 halves.

Dia. Up to 315 = 30 x 3mm thk.  
Dia. Up to 800 = 30 x 4mm thk.  
Dia. Up to 1250 = 40 x 5mm thk.

**Ordering**

Product Code: DS-2-30 - aaa

Type \_\_\_\_\_  
d<sub>1</sub> \_\_\_\_\_

**TYPE DS - 2**



**DS - 1 - 25**

dia mm	Support Size
63	25 x 2 mm
80	25 x 2 mm
100	25 x 2 mm
112	25 x 2 mm
125	25 x 2 mm
140	25 x 2 mm
150	25 x 2 mm
160	25 x 2 mm
180	25 x 2 mm
200	25 x 2 mm
224	25 x 2 mm
250	25 x 2 mm
280	25 x 2 mm
300	25 x 2 mm
315	25 x 2 mm

**DS - 1 - 40**

dia mm	Support Size
63	40 x 1.2 mm
80	40 x 1.2 mm
100	40 x 1.2 mm
112	40 x 1.2 mm
125	40 x 1.2 mm
140	40 x 1.2 mm
150	40 x 1.2 mm
160	40 x 1.2 mm
180	40 x 1.2 mm
200	40 x 1.2 mm
224	40 x 1.2 mm
250	40 x 1.2 mm
280	40 x 1.2 mm
300	40 x 1.2 mm
315	40 x 1.2 mm

**DS - 2 - 30**

dia mm	Support Size
100	30 x 3 mm
112	30 x 3 mm
125	30 x 3 mm
140	30 x 3 mm
150	30 x 3 mm
160	30 x 3 mm
180	30 x 3 mm
200	30 x 3 mm
224	30 x 3 mm
250	30 x 3 mm
280	30 x 3 mm
300	30 x 3 mm
315	30 x 3 mm
355	30 x 4 mm
400	30 x 4 mm

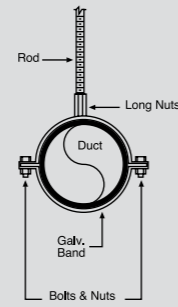
**DS - 2 - 40**

450	30 x 4 mm
500	30 x 4 mm
560	30 x 4 mm
600	30 x 4 mm
630	30 x 4 mm
710	30 x 4 mm
800	30 x 4 mm
<b>DS - 2 - 40</b>	
dia mm	Support Size
900	40 x 5mm
1000	40 x 5mm
1100	40 x 5mm
1250	40 x 5mm

**TYPE DS - 3**



**Dimensions**



**Description**

Round duct support type DS - 3, made of steel plate supplied in 2 halves with long nut on top for threaded rod connection.

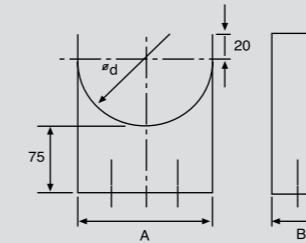
Dia. Up to 315 = 30 x 3mm thk.  
 Dia. Up to 800 = 30 x 4mm thk.  
 Dia. Up to 1250 = 40 x 5mm thk.

**Ordering**

Product Code: DS-2-30 - aaa

Type \_\_\_\_\_  
 d<sub>1</sub> \_\_\_\_\_

**Dimensions**



**Description**

Round duct support type DS - 4, made of galvanized steel sheet for wall mounting installation.

The DS-4 support can be fitted with a strap and a snap lock, thus preventing self tapping screws or rivets cutting into the ducts.

**Ordering**

Product Code: DS-4 - aaa

Type \_\_\_\_\_  
 d<sub>1</sub> \_\_\_\_\_

**TYPE DS - 4**



**DS - 3 - 30**

dia mm	Support Size
100	30 x 3 mm
112	30 x 3 mm
125	30 x 3 mm
140	30 x 3 mm
150	30 x 3 mm
160	30 x 3 mm
180	30 x 3 mm
200	30 x 3 mm
224	30 x 3 mm
250	30 x 3 mm
280	30 x 3 mm
300	30 x 3 mm
315	30 x 3 mm
355	30 x 4 mm
400	30 x 4 mm

450	30 x 4 mm
500	30 x 4 mm
560	30 x 4 mm
600	30 x 4 mm
630	30 x 4 mm
710	30 x 4 mm
800	30 x 4 mm

**DS - 3 - 40**

dia mm	Support Size
900	40 x 5mm
1000	40 x 5mm
1100	40 x 5mm
1250	40 x 5mm

**DS - 4**

d mm	A mm	B mm
80	180	25
63	66	25
80	180	25
100	180	25
125	180	25
150	200	25
160	200	25
200	203	25
250	253	25
315	318	25
400	403	25
500	503	25
630	633	25



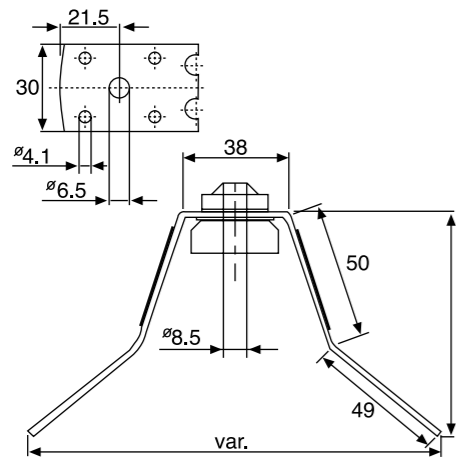
TYPE DS - 5



Description

SAFID's duct fixing bracket, is used for sound insulated suspensions of circular or square ducts. Suitable for use with all duct diameter and cross sections due to predetermined bending points. Easy fastening to the air duct with rivets or self drilling screws. Suspensions of the duct fixing bracket with threaded rods or direct fastening to the structure if possible. Installation is carried out in the usual way using threaded rods. This excludes the occurrence of a sonic bridge air duct or channel and structure.

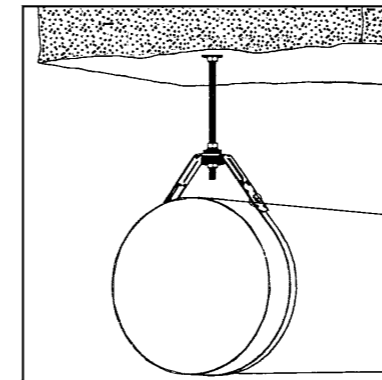
Dimensions



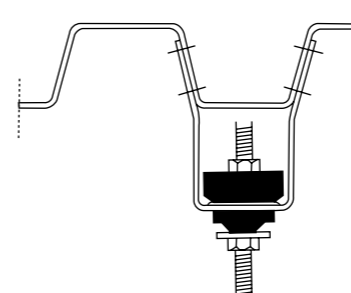
TYPE DS - 5

Fixing Bracket Example

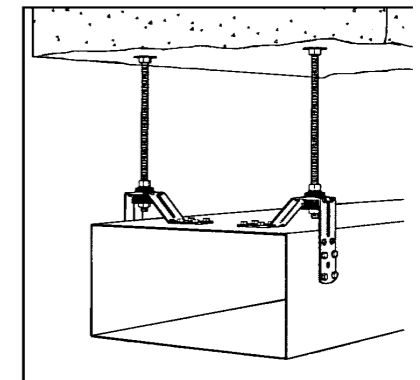
Air duct suspended from the ceiling with SAFID duct fixing bracket, steel tape or punched assembly strip.



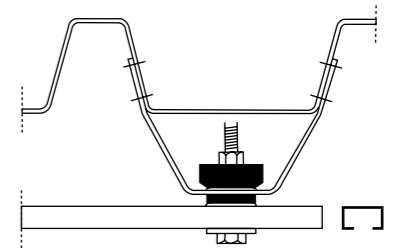
Direct fastening to a metal sheet with trapezoid corrugations using SAFID duct fixing bracket.



Square duct fastened to the ceiling with SAFID duct fixing bracket, air duct fasteners, threaded rods and steel anchors.



Sound insulated fastening of a SAFID support channel profile on a metal sheet with wide trapezoid corrugations using SAFID duct fixing bracket.



**TYPE DS - 6**

**Dimensions**

**Description**

Internal round duct bracket type DS - 5, made of galvanized steel sheet for internal mounting installation.

**Ordering**

Product Code: DS-6 - aaa

Type \_\_\_\_\_

d<sub>1</sub> \_\_\_\_\_

**Description**

Perforated galvanized steel band.

PG 17 = 17mm x 0.6mm thk.  
PG 25 = 25mm x 0.75mm thk.

**Ordering**

Product Code: PG-17

Type \_\_\_\_\_

**PG17  
PG25**

d mm
450
500
560
600
630
710
800
900
1000
1120
1250



**Dimensions**

Internal Round duct bracket type DS - 5, made of galvanized steel sheet for internal mounting installation.

